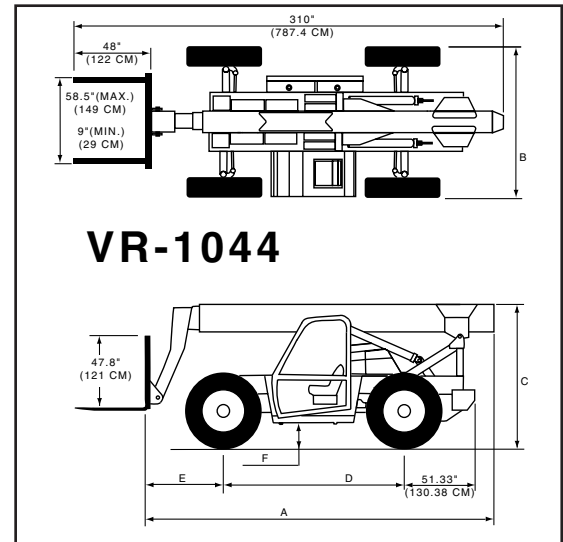


Ingersoll Rand®

VR-1044 Specifications

Specifications

Overall length (less forks)	A	260.0"	(660 cm)
Overall width	B	102.0"	(259 cm)
Overall height	C	95.0"	(241.3 cm)
Wheelbase	D	128.0"	(325.1 cm)
Reach:			
Drive axle to carriage front	E	66.7"	(169.4 cm)
Ground clearance	F	16"	(40.6 cm)
Tread width		87"	(221 cm)
Frame leveling		10° deg each side	
Shipping weight		28,650 lbs.	(12542 kg)
Turning radius:			
Inside		70"	(177.8 cm)
Outside		164"	(416.56 cm)
Top travel speeds:			
Range 1		1-4 mph	(1.6 to 6.44 kph)
Range 2		5-8 mph	(8.05 to 12.88 kph)
Range 3		9-20 mph	(14.49 to 32.18 kph)



Standard Equipment

ENGINE:	
Cummins	4BT3.9 Elite Diesel
4 Cylinder	239 cu. in. (3917 cu. cm)
Horse power	110 @ 2500 rpm
Torque (ft.-lb.)	293 @ 1500 rpm
TRANSMISSION:	
Type	Powershift with Soft Shift
Range	3 speeds forward and reverse
DRIVE AXLES:	
Front & Back	All Wheel Drive
Type	Planetary Steering
BRAKES:	
Service	Internal wet disc
Parking	Internal - SAHR
TIRES:	
Front	13.00 x 24 14PR /G2
Rear	13.00 x 24 14PR /G2
Ballast	Not required
ELECTRICAL:	
Negative ground	12 volts
Alternator	63 amps
Battery	900 amps
Backup alarm	112 dBA

STEERING:	
3 modes	2-wheel, 4-wheel or Crab

SYSTEMS CAPACITIES (Standard Configuration):

Cooling	20 qt.	(18.91 l)
Crankcase	11.6 qt.	(10.98 l)
Transmission	13.6 qt.	(12.87 l)
Drive axle		
front	15.6 qt.	(14.77 l)
rear	18 qt.	(17.04 l)
Planetary end (each)	2 qt.	(1.90 l)
Fuel tank	35 gal.	(132.48 l)
Hydraulic system	40 gal.	(151.40 l)

HYDRAULIC SYSTEM:

Pump, variable displ. piston	34 gpm @ 3500 psi
------------------------------	-------------------

GAUGES:

Oil pressure	Water temperature	Fuel level
Voltmeter	Transmission oil temp.	Hourmeter

INDICATORS/ACCESSORIES:

Air cleaner restriction	Lockable fuel tank cap
Back up alarm	Lockable hydraulic tank cap
Boom angle indicator	Park brake light
Engine block heater	Rear axle stabilization indicator
Frame level indicator	Rear steer centering indicator
Horn & seat belt	Rear wiper/washer
Lockable engine hood	



VR-1044 Specifications

RATED LOAD CAPACITY:

Boom retracted (at max. angle)	10,000 lbs.	(4536 kg)
Boom extended (at max. angle)	6,800 lbs.	(3084.5 kg)
Boom extended (at max. reach)	2,700 lbs.	(1224.7 kg)
Max. boom angle	70°	
Side leveling	+/- 10°	

Note: Capacities are to ASME B56.6-1992

BOOM:

Boom type	3 Stage
Boom angles	Up: 70° Down: -6°
Telescope extend speed	15.5 sec.
Telescope retract speed	15.6 sec.
Boom raised	14.2 sec.
Boom lowered	10.7 sec.
Carriage rotation	101°

CARRIAGES:

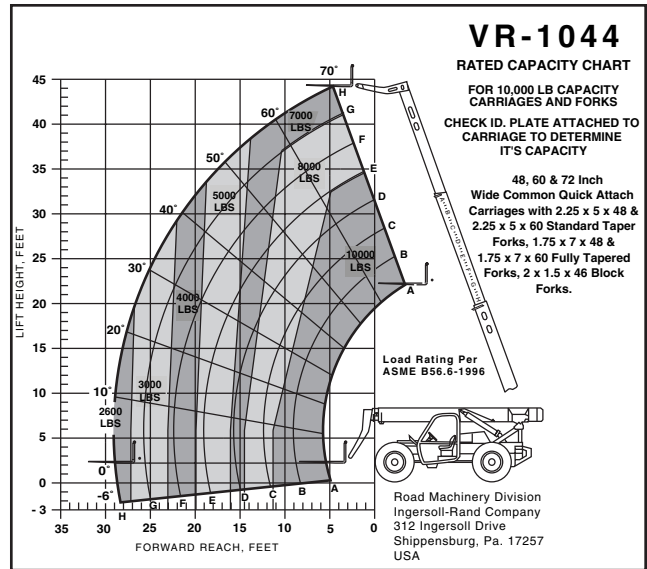
Pin diameter	2" (4.44 cm)
Standard	48" with load backrest
Option	60" with load backrest
Option	72" with load backrest
Option	48" with 6° side tilt
Option	60" with 6° side tilt

FORKS:

Standard	2.25" x 5" x 48" floating pin
Option	2.25" x 5" x 60" floating pin
Option	1.5" x 2" x 48" block forks (set of 6)
Option	1.75" x 7" x 48" fully tapered
Option	1.75" x 7" x 60" fully tapered

OPERATING SPECIFICATIONS:

Max. lift capacity	10,000 lbs.	(4536 kg)
Max. lift height	44.3'	(1348.74 cm)
Max. forward reach (from front of tires to 24" load center)	29'	(883.92 cm)
Practical placement Height	42' 2"	(1285.2 cm)
Max. reach @ practical placement height	97"	(246.4 cm)
Max. vert. reach below grade	30"	(76.2 cm)
Max. reach at max. ht. (from front of tires to 24" load center)	56"	(142.2 cm)



OPTIONS

- 1.75 cu. yd. bucket
- All weather cab
- Auxiliary hydraulics
- Cab dome light
- Foam filled tires
- Fork Positioners
- Front & rear headlights
- Full suspension seat
- Low side wall tires
- Stabilizers
- Swing carriage
- Tilt carriages
- Truss boom 12'/2000 lbs. (3.65/907.2 kg)
- Turn signals/4-way flashers
- Yokohoma mining tread tires
- Wide carriages
- Vandal Protection

Nothing contained in this brochure is intended to extend any warranty or representation, expressed or implied, regarding the products described herein. Any such warranties or other terms and conditions of sale for such products, shall be in accordance with Ingersoll-Rand's standard terms and conditions of sale for such products, which are available upon request.



Ingersoll-Rand Company

Road Machinery
312 Ingersoll Drive
Shippensburg, PA 17257
www.ingersoll-rand.com