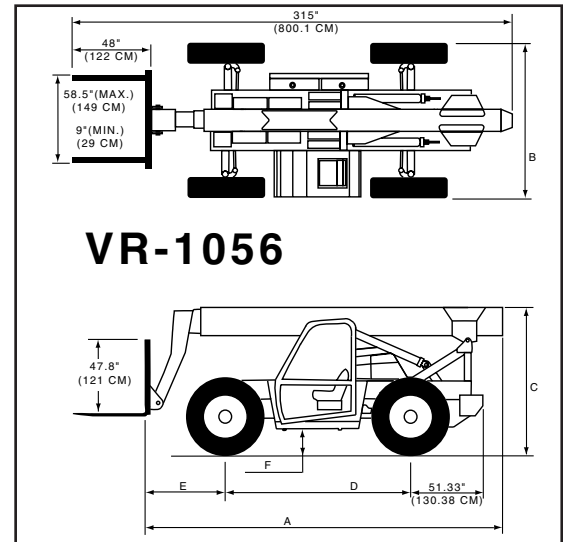


VR-1056 Specifications

Specifications

Overall length (less forks)	A	270.0"	(685.8 cm)
Overall width	B	102.0"	(259 cm)
Overall height	C	97.8"	(248.2 cm)
Wheelbase	D	132.5"	(336.6 cm)
Reach:			
Drive axle to carriage front	E	72.9"	(185.2 cm)
Ground clearance	F	16"	(40.6 cm)
Tread width		85.8"	(218 cm)
Frame leveling		10° deg each side	
*Shipping weight		31500 lbs.	(14318 kg)
Turning radius:			
Inside		72"	(182.9 cm)
Outside		154"	(389.2 cm)
Top travel speeds:			
Range 1		0-3.4 mph	(0-5.49 kph)
Range 2		0-7.5 mph	(0-12.01 kph)
Range 3		0-19.0 mph	(0-30.67 kph)

*Without attachment



Standard Equipment

ENGINE:	
Cummins	4BT3.9 Elite Diesel
4 Cylinder	239 cu. in. (3917 cu. cm)
Horse power	110 @ 2500 rpm
Torque (ft.-lb.)	286 @ 1700 rpm
TRANSMISSION:	
Type	Powershift with Soft Shift
Range	3 speeds forward and reverse
DRIVE AXLES:	
Front & Back	All Wheel Drive
Type	Planetary Steering
BRAKES:	
Service	Internal wet disc
Parking	Internal - SAHR
TIRES:	
Front	14.00 x 24 12PR /G2
Rear	14.00 x 24 12PR /G2
Ballast	Not required
ELECTRICAL:	
Negative ground	12 volts
Alternator	63 amps
Battery	900 amps
Backup alarm	112 dBA

STEERING:	
3 modes	2-wheel, 4-wheel or Crab

SYSTEMS CAPACITIES (Standard Configuration):

Cooling	20 qt.	(18.91 l)
Crankcase	11.6 qt.	(10.98 l)
Transmission	13.6 qt.	(12.87 l)
Drive axle		
front	15.6 qt.	(14.77 l)
rear	18 qt.	(17.04 l)
Planetary end (each)	2 qt.	(1.90 l)
Fuel tank	35 gal.	(132.48 l)
Hydraulic system	40 gal.	(151.40 l)

HYDRAULIC SYSTEM:

Pump, variable displ. piston	34 gpm @ 3500 psi
------------------------------	-------------------

GAUGES:

Oil pressure	Water temperature	Fuel level
Voltmeter	Transmission oil temp.	Hourmeter

INDICATORS/ACCESSORIES:

Air cleaner restriction	Lockable fuel tank cap
Back up alarm	Lockable hydraulic tank cap
Boom angle indicator	Park brake light
Engine block heater	Rear axle stabilization indicator
Frame level indicator	Rear steer centering indicator
Horn & seat belt	Rear wiper/washer
Lockable engine hood	Stabilizers

VR-1056 Specifications

RATED LOAD CAPACITY:

Boom retracted (at max. angle without stabilizers)	10,000 lbs.	(4536 kg)
Boom extended (at max. angle w/out stabilizers & w/out rear axle stabilization)	4,000 lbs.	(1814.4 kg)
(at max. angle with stabilizers & w/out rear axle stabilization)	6,000 lbs.	(2721.6 kg)
Boom extended (at max. reach with stabilizers)	3,000 lbs.	(1360.8 kg)
(at max. reach without stabilizers)	450 lbs.	(204.1 kg)
Max. boom angle	70°	
Side leveling	+/- 10°	

Note: Capacities are to ASME B56.6-1992

BOOM:

Boom type	4 Stage
Boom angles	Up: 70° Down: -6°
Telescope extend speed	18.8 sec.
Telescope retract speed	16.6 sec.
Boom raised	13.5 sec.
Boom lowered	9.6 sec.
Carriage rotation	101°

CARRIAGES:

Standard	48" with load backrest
Option	60" with load backrest
Option	72" with load backrest
Option	48" with 6° side tilt
Option	60" with 6° side tilt
Option	72" with 45° side swing

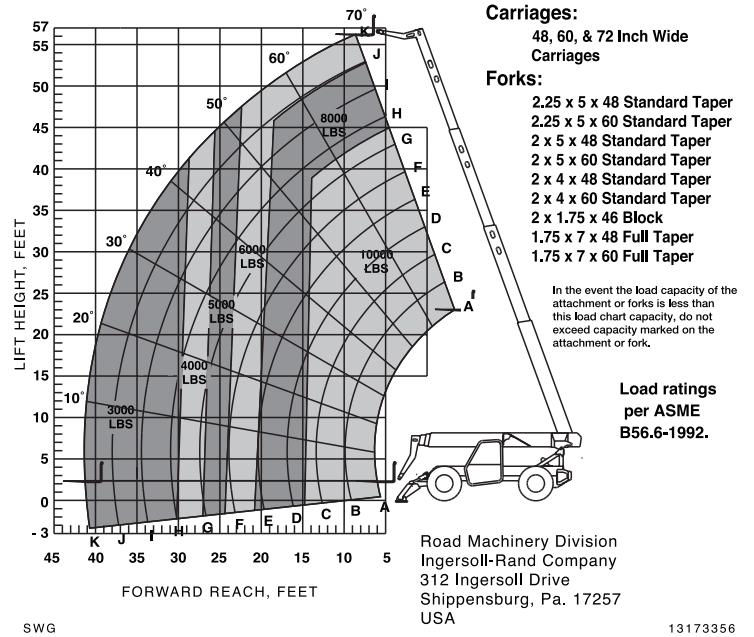
FORKS:

Standard	2.25" x 5" x 48" floating pin
Option	2.25" x 5" x 60" floating pin
Option	1.5" x 2" x 48" block forks (set of 6)
Option	1.75" x 7" x 48" fully tapered
Option	1.75" x 7" x 60" fully tapered

OPERATING SPECIFICATIONS:

Max. lift capacity	10,000 lbs.	(4536 kg)
Max. lift height	56'	(1706.88 cm)
Max. forward reach (from front of tires to 24" load center)	41.5'	(1262.4 cm)
Practical placement Height	54'	(1645.9 cm)
Max. reach @ practical placement height	151"	(383.5 cm)
Max. vert. reach below grade	42"	(106.7 cm)
Max. reach at max. ht. (from front of tires to 24" load center)	106"	(269.2 cm)

VR-1056 RATED CAPACITY CHART WITH STABILIZERS DOWN



OPTIONS

- 1.75 cu. yd. bucket
- All weather cab
- Auxiliary hydraulics
- Cab dome light
- Foam filled tires
- Fork positioners
- Front & rear headlights
- Full suspension seat
- Low side wall tires
- 72" Swing carriage
- Tilt carriages
- Truss boom 12'/2000 lbs. (3.65m/907.2 kg)
- Turn signals/4-way flashers
- Wide carriages
- Vandal Protection
- Sliding right side window

Nothing contained in this brochure is intended to extend any warranty or representation, expressed or implied, regarding the products described herein. Any such warranties or other terms and conditions of sale for such products, shall be in accordance with Ingersoll-Rand's standard terms and conditions of sale for such products, which are available upon request.



Ingersoll-Rand Company

Road Machinery
312 Ingersoll Drive
Shippensburg, PA 17257
www.road-development.irco.com