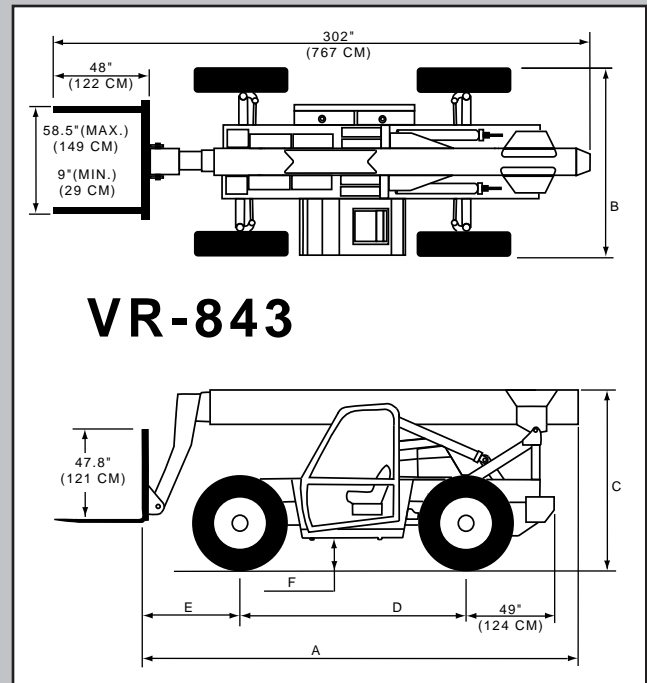


INGERSOLL-RAND®

VR-843 Telescopic Material Handlers

Specifications

Overall length (less forks)	A	252.0"	(640 cm)
Overall width	B	102.0"	(259 cm)
Overall height	C	95.0"	(241.3 cm)
Wheelbase	D	128.0"	(325.1 cm)
Reach:			
Drive axle to carriage front	E	56.3"	(21.66 cm)
Ground clearance	F	16"	(40.6 cm)
Tread width		87"	(221 cm)
Frame leveling		12° deg	each side
Shipping weight		22,813 lbs.	(10348 kg)
Turning radius:			
Inside		86"	(218.4 cm)
Outside		176"	(447 cm)
Steering wheel turns:			
Stop to stop			4 turns
Top travel speeds:			
Range 1		1-5 mph	(1.6 to 8.04 kph)
Range 2		5-15 mph	(8.04 to 24.13 kph)
Range 3		15-21 mph	(24.13 to 33.79 kph)



Standard Equipment

ENGINE:

Cummins	4BT3.9 Diesel
4 Cylinder	239 cu. in. (3917 cu. cm)
Horse power	110 @ 2500 rpm
Torque (ft-lb.)	293 @ 1500 rpm

TRANSMISSION:

Type	Powershift with Soft Shift
Range	3 speeds forward and reverse
Make	Clark T12000

DRIVE AXLES:

Front & Back	All Wheel Drive
Type	Planetary Steering
Make	Spicer Clark Hurth

BRAKES:

Service	Internal wet disc
Parking	Internal - SAHR

TIRES:

Front	13.00 x 24 12PR /G2
Rear	13.00 x 24 12PR /G2
Ballast	Not required

ELECTRICAL:

Negative ground	12 volts
Alternator	62 amps
Battery	1000 amps
Backup alarm	112 DBM

STEERING:

3 modes	2-wheel, 4-wheel or Crab
---------	--------------------------

SYSTEMS CAPACITIES (Standard Configuration):

Cooling	20 qt.	(18.91 l)
Crankcase	11.6 qt.	(10.98 l)
Transmission	13.6 qt.	(12.87 l)
Drive axle	9.7 qt.	(9.18 l)
Planetary end (1 end)	1.4 qt.	(1.32 l)
Fuel tank	35 gal.	(33.12 l)
Hydraulic system	40 gal.	(37.85 l)

HYDRAULIC SYSTEM:

Pump, variable displ. piston	34 gpm @ 3000 psi
------------------------------	-------------------

GAUGES:

Oil pressure	Water temperature	Fuel level
Voltmeter	Transmission oil temp.	Hourmeter

INDICATORS/ACCESSORIES:

Frame level indicator	Air cleaner restriction
Back up alarm	Boom angle indicator
Park brake light	Horn & seat belt

INGERSOLL-RAND
CONSTRUCT ON & M N NG

VR-843 Specifications

RATED LOAD CAPACITY:

Boom retracted (at max. angle)	8,000 lbs.	(3628 kg)
Boom extended (at max. angle)	7,000 lbs.	(2721 kg)
Boom extended (at max. reach)	1,900 lbs.	(861.84 kg)
Max. boom angle		70°
Side leveling		+/- 12°

Note: Capacities are to ASME B56.6-1992

OPERATING SPECIFICATIONS:

Max. lift capacity	8000 lbs.	(3628 kg)
Max. lift height	43.1'	(429.77 cm)
Max. forward reach (from front of tires)	28' 2"	(861 cm)
Boom extension	23' 6"	(717.55 cm)
Max. vert. reach below grade	34"	(86 cm)
Max. reach at max. ht. (from front of tires)	52"	(132 cm)

BOOM:

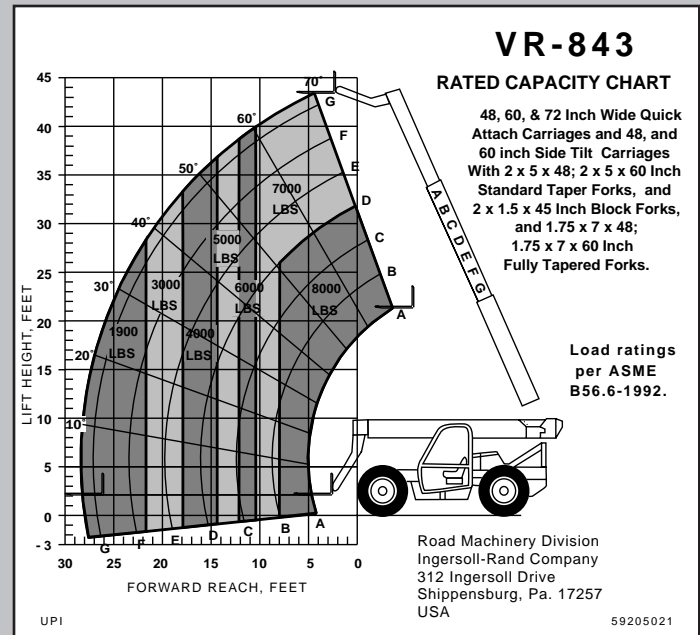
Boom type	3 Stage
Boom angles	Up: 70° Down: -6°
Extend speed	16.6 sec.
Retract speed	12.2 sec.
Boom raised	11.3 sec.
Boom lowered	9.6 sec.
Carriage rotation	101°

CARRIAGES:

Pin diameter	2" (4.44 cm)
Standard	48" with load backrest
Option	60" with load backrest
Option	72" with load backrest
Option	48" with 10° side tilt
Option	60" with 10° side tilt

FORKS:

Standard	2" x 5" x 48" floating pin
Option	2" x 5" x 60" floating pin
Option	1.5" x 2" x 48" block forks (set of 6)
Option	1.75" x 7" x 48" fully tapered
Option	1.75" x 7" x 60" fully tapered



Options

- 1.75 cu. yd. bucket
- All weather cab
- Auxiliary hydraulics
- Cab dome light
- Engine block heater
- Foam filled tires
- Fork Positioners
- Front & rear headlights
- Front & rear windshield wiper
- Full suspension seat
- Stabilizers
- Tilt carriages
- Truss boom 12'/2000 lbs.
3.65/907.2 kg
- Turn signals/4-way flashers
- Yokohoma mining tread tires
- Wide carriages
- Vandal Protection

Nothing contained in this brochure is intended to extend any warranty or representation, expressed or implied, regarding the products described herein. Any such warranties or other terms and conditions of sale for such products, shall be in accordance with Ingersoll-Rand's standard terms and conditions of sale for such products, which are available upon request.

INGERSOLL-RAND
CONSTRUCT ON & M N NG

Road Machinery Division
Ingersoll-Rand Company
312 Ingersoll Drive
Shippensburg, PA 17257